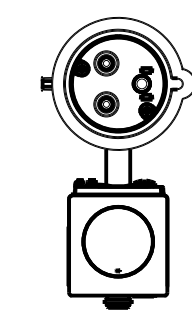
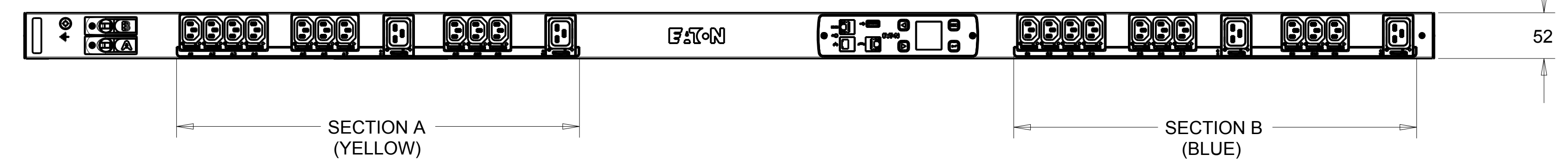
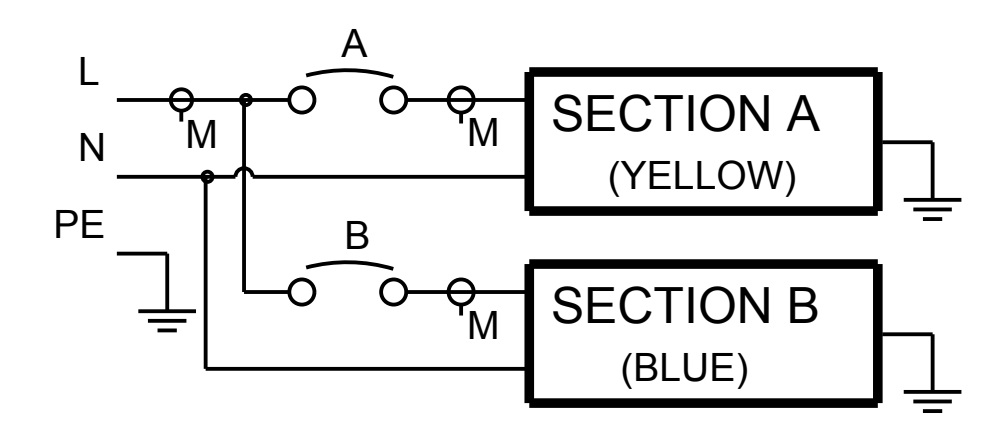


CABLE LENGTH SHOWN NOT TO SCALE



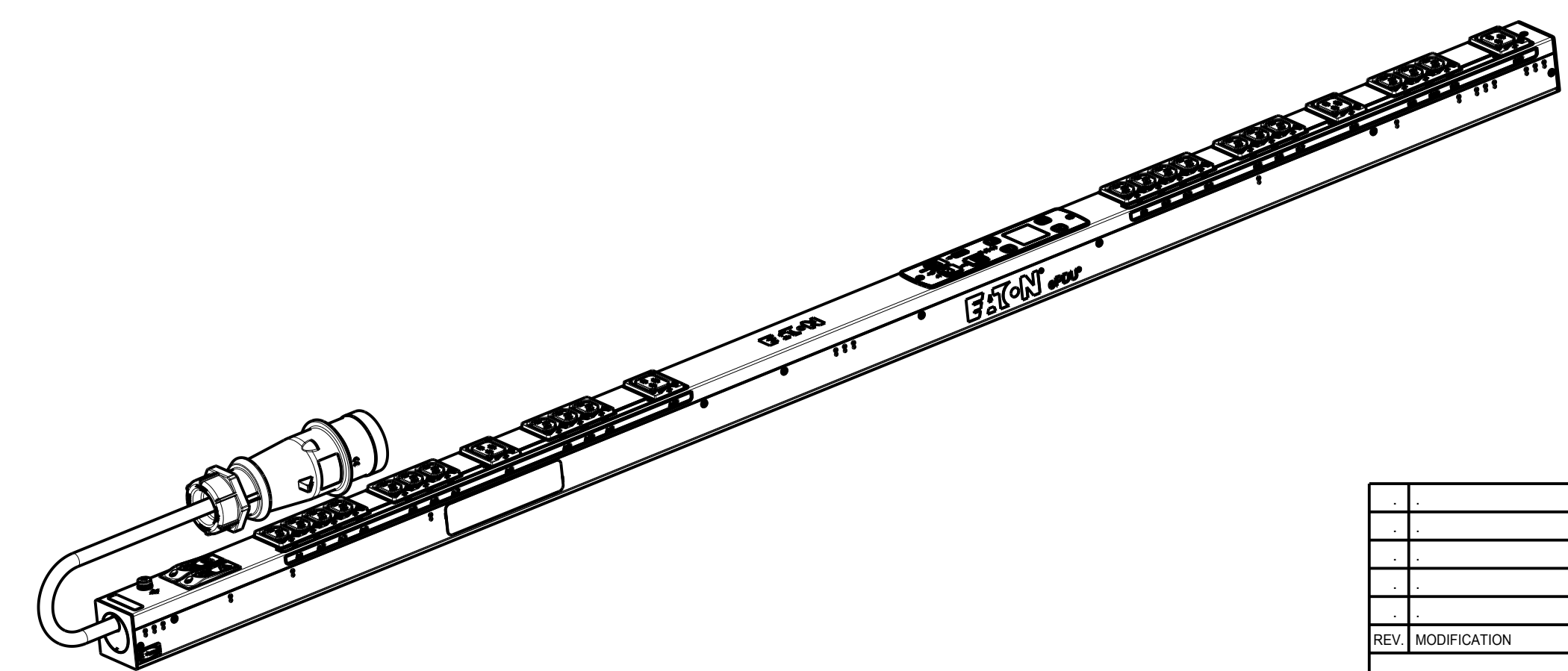
CIRCUIT SCHEMATIC



EMOB05

G3 METERED OUTLETS.

FUNCTIONALITY	INPUT	OUTPUT	ENVIRONMENTAL
CURRENT POWER AND ENERGY METERING FOR INPUT, BRANCH AND OUTLETS.	IEC 60309-2 32A 230V~ W+N+PE 4.0MM HO7 POWER CORD CABLE LENGTH: 3.0M	(20) IEC 60320 C13 GRIP (4) IEC 60320 C19 GRIP	0 TO 60 °C
MECHANICAL	INPUT RATING	OUTPUT RATING	CERTIFICATIONS
LENGTH: 1604MM WIDTH: 52 MM DEPTH: 53MM ALUMINIUM CHASSIS, BLACK MNT PATTERN SK-23919-Y1	1Ø; 200-240V~;W+N+PE 50/60HZ 32A	200-240V~;50/60HZ 10A PER C13;16A PER C19 16A MAX PER SECTION 32A MAX TOTAL	CE, CB
CIRCUIT BREAKERS	FILTER AND SPIKE/SURGE	ACCESSORIES	CONFIGURATION
(2) 16A 1-POLE	NONE	STANDARD KSP015 - VERT INSTALLATION AND NETWORK PACK OPTIONAL EMP001 - ENVIRONMENTAL PROBE	EMO6CH8FBDD77AM



PICTORIAL VIEW
SCALE 0.200

REV. MODIFICATION		DATE		DESSIN/ DRAW		VERIF.	
EATON		HEINEMANN PRODUCTS		VUE/VIEW EUROPE: 1/4		N° MAG: EMOB05	
CH-1345 LE LIEU SWITZERLAND		DESSINE LE / DRAWED THE: 06.08.2014		PAR / BY: G.McD.		VERIFIE PAR / VERIFIED BY: M.B.	
TRAITEMENT / FINISH: NA		MATERIE / MATERIAL: NA		NIVEAU DU CERTIFICAT DE SOUMISSION REQUIS / SAMPLES APPROVAL PROCESS REPORT: X		DIMENSIONS AND TOLERANCES IN MILLIMETERS	
DESIGNATION: EPDU MO 0U (309 32A 1P)20XC13:4XC19		COTES A CONTROLER / INSPECTION DIMENSIONS: XX.XX		COTES FONCTIONNELLES / FUNCTIONAL DIMENSIONS: # XX.XX		NUMERO DU PLAN / PLAN NUMBER: SK-48919-Y1 00	
Ce document est propriété de Eaton Industries Manufacturing GmbH. Duplication interdite sans autorisation. This document is Eaton Industries Manufacturing GmbH property. Duplication forbidden without authorization.							